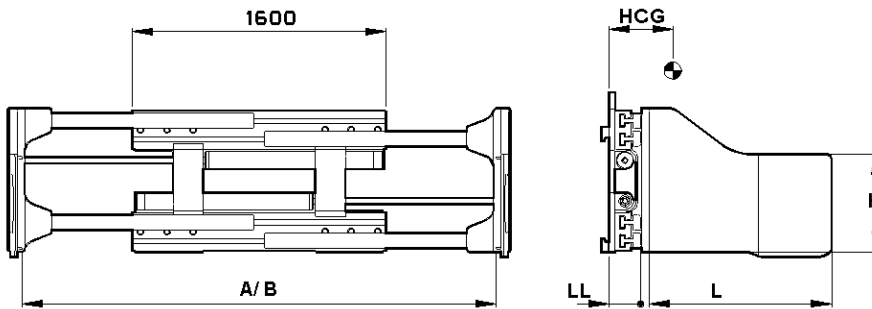




COTTON BALE CLAMPS

Cotton bale clamps are specially designed to handle 1 to 4 cotton bales at a time.

These clamps grip the cotton bales securely without damaging the bales by using ribs or cotton balls on the face of the arm and slim arms to help pick the bales when stacked together.



Model	Cap./ Load Cen.	A/B	Mount	H x L	LL	HCG	VCG	Weight
UCB	kg/mm	mm		mm	mm	mm	mm	Kg
227ZSB1827	2700 /	520 / 2300	II	460x690	159	150	320	650
327ZSB1827	500	520 / 2300	III	460x690	159	150	320	650

Maximum Flow and Pressure				
Model UCB	Min. l/min	Rec. l/min	Max. l/min	Max. Pressure Bar
227	20	35	45	150
327	20	35	45	150

Features:

- ✓ Wide body clamp fits carriages from 1000mm wide
- ✓ Handle 1 to 4 bales
- ✓ Ribbed bale arms as standard
- ✓ Slim bale arms to help pick bales stacked together
- ✓ Slim bale arms to reduce weight increasing the retained capacity of the attachment
- ✓ No hydraulics or valves above clamp body, for maximum protection
- ✓ Large diameter cylinders for extra clamping force

Options:

- ? Pressure relief or side shift feature through valve-contact Sattach for specifications
- ? Cotton ball arms
- ? QD bottom hooks
- ? Hose reels, solenoid valves and buttons for easy hydraulic installation

Sattach Pty Ltd

305 Hanson Road
Wingfield, South Australia, 5013
ABN 78 010 459 613

Telephone: +61 8 8268 4111
Facsimile: +61 8 8268 4611
Email: sales@sattach.com.au

C5

Branches:

NSW: 0416 244 355
VIC: 0419 871 847
QLD: 0417 766 521
WA: 0407 148 879